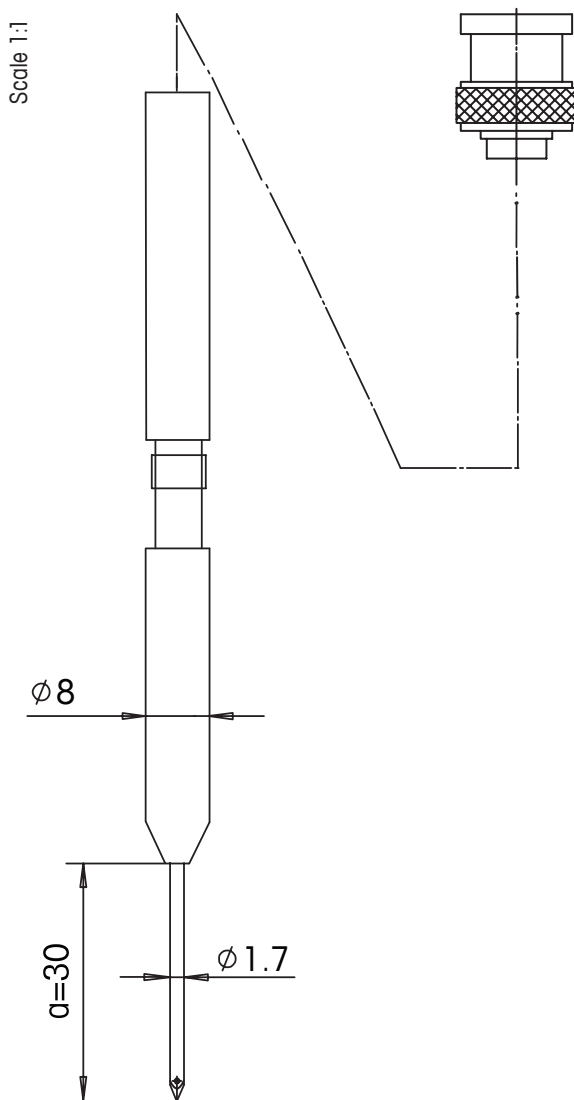


# InLab<sup>®</sup> Nano

pH Ref °C ISM



Micro sensor for very small sample volumes like micro plates, well plates, vials



**Sensor type** combined pH electrode

**Order number** 30092990

### Specifications

pH range 1...14  
zero point (pH) 7.00 ± 0.25

temperature range 0...80 °C  
temperature probe -

shaft material steel  
membrane glass U  
membrane resistance < 250 MΩ

reference system Ag/AgCl  
reference diaphragm ceramic  
reference electrolyte 3 mol/L KCl  
AgCl saturated

bridge electrolyte -

electrode head -  
cable length 1.0 m  
connector BNC

cell constant (cm<sup>-1</sup>) -  
cell type -

indicating metal -

### Storage

InLab storage solution (30111142)  
or FRISCOLYT-B<sup>®</sup> (51340053)