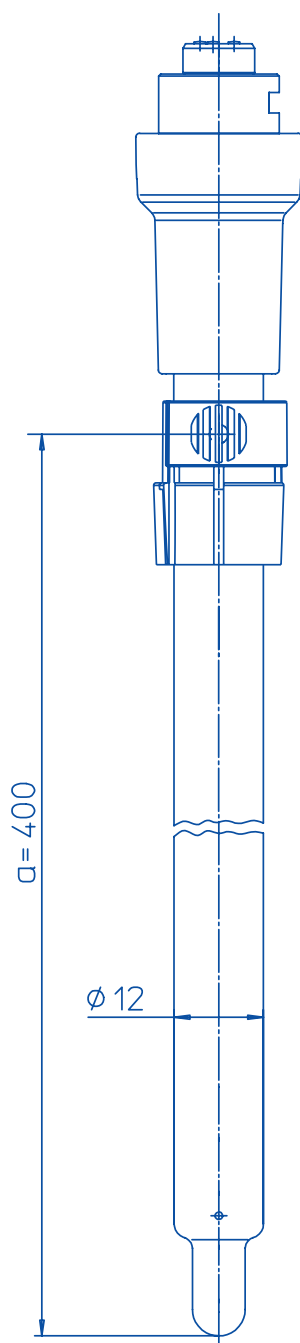


pH



Order number 51343062

former order number -

Specifications

pH range 0 - 14

zero point (pH) 7.00 ± 0.25

temperature range 0 - 100 °C

temperature probe Pt1000

shaft material glass

membrane glass HA

membrane resistance $< 600 \text{ M}\Omega$

reference system ARGENTHAL™, Ag⁺ trap

reference diaphragm ceramic

reference electrolyte 3 mol/L KCl

bridge electrolyte -

electrode head MultiPin™

cable length -

connector -

cell constant (cm⁻¹) -

cell type -

indicating metal -

Storage 3 mol/L KCl

Special features

long shaft 400 mm

integrated temperature probe Pt1000

ARGENTHAL™ reference system with Ag⁺ trap

Choice of cables

All Mettler-Toledo meters have BNC connectors.

Recommended cable: BNC/1x4 mm 1.2 m

(52300011)

Our cable selector guide offers a large choice of MultiPin™ cables for other connectors.